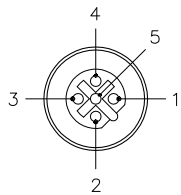
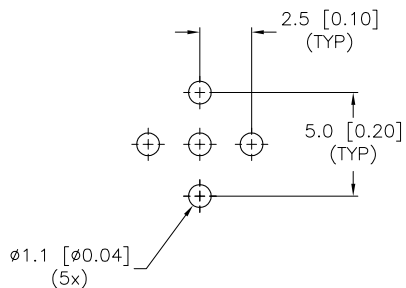


FEMALE END VIEW



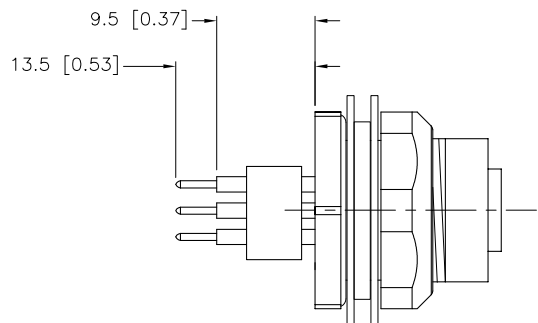
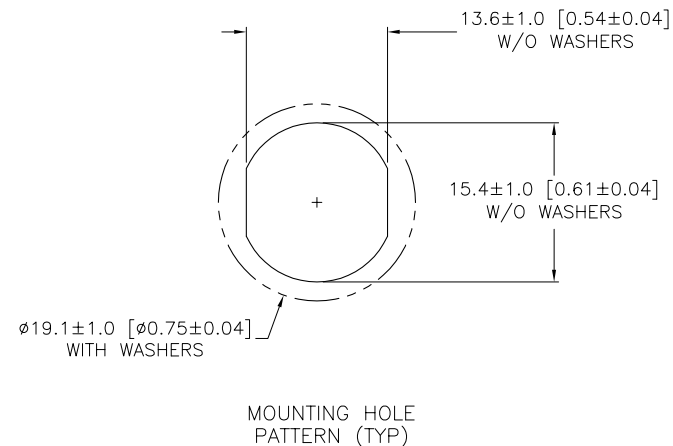
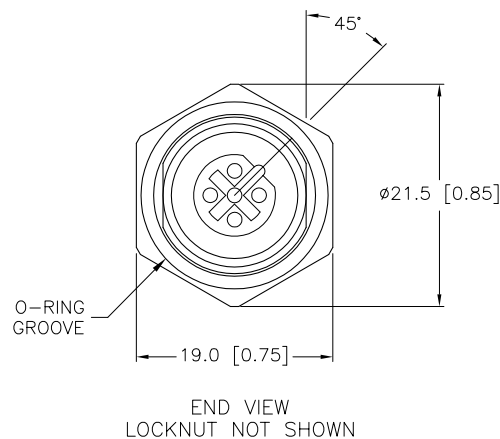
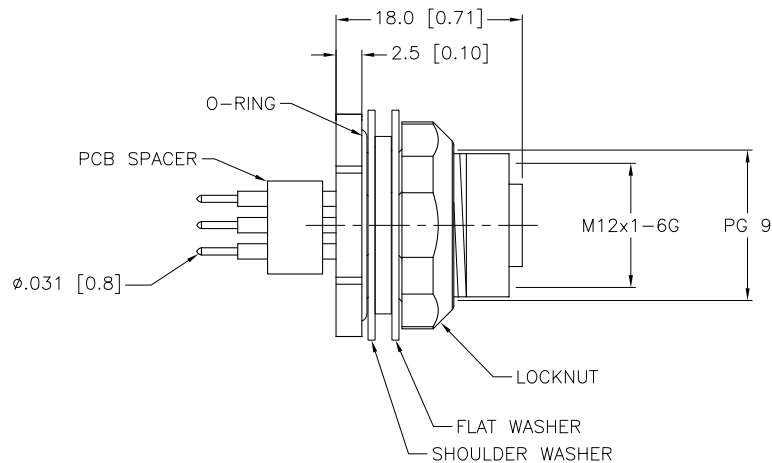
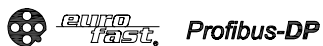
BOARD LAYOUT



DRAWING SCALE (2:1)

SPECIFICATIONS

CONTACT CARRIER MATERIAL	NYLON OR TPU
CONTACT MATERIAL/PLATING	BRASS/GOLD
HOUSING/LOCKNUT MATERIAL	BRASS/NICKEL
O-RING MATERIAL	NITRILE
WASHER MATERIAL	NYLON
RATED CURRENT [A]	4.0 A
RATED VOLTAGE [V]	30 VAC/36 VDC
NUMBER OF CONDUCTORS [AWG]	PRINTED CIRCUIT PINS
TEMPERATURE RANGE	-40°C to +90°C (-40°F to +194°F)
PROTECTION CLASS	MEETS NEMA 1,3,4,6P AND IEC IP68



SOURCE DRAWING - FOR REFERENCE ONLY

RELATED DOCUMENTS 1. U4509-3 2. 9-RDV-130 3. 4.		3RD ANGLE PROJECTION 		THIS DRAWING IS PROPERTY OF TURCK INC. USE OF THIS DOCUMENT WITHOUT WRITTEN PERMISSION IS PROHIBITED.		3000 CAMPUS DRIVE MINNEAPOLIS, MN 55441 1-800-544-7769 (763) 553-7300 (763) 553-0708 fax turck.com	
MATERIAL SEE SPECIFICATIONS		DRFT JBU DATE 02/17/99		DESCRIPTION FKFDW 45-PCB		IDENTIFICATION NO. U4504-7	
FINISH		DSGN GC SCALE 1=.8		UNIT OF MEASUREMENT MILLIMETER [INCH]		REV E	
ALL DIMENSIONS DISPLAYED ON THIS DRAWING ARE FOR REFERENCE ONLY		CONTACT TURCK FOR MORE INFORMATION		DO NOT SCALE THIS DRAWING		FILE: U4504-7	

E	DRAWING PROCESSED AS PART OF ECO 33971	CBM	04/07/11	33971
REV	DESCRIPTION	BY	DATE	ECO NO.